



Efficiency, safety,
and performance
become **ONE.**





ANGEL MEDICAL
DEVICES



About Us

Angel Medical Devices offers solutions that enable healthcare professionals to deliver exceptional care during complex medical cases.

Committed to innovation in the perioperative field, we develop ergonomic solutions that improve workflow processes, and safety for patients and providers.

Our mission is to deliver medical devices and accessories that simplify the overburdened medical procedure suites such as the operating rooms, hybrid rooms, and intensive care units.



Efficiency, safety, and performance **become ONE.**

The OmniHolder is the solution to eliminate clutter, medical errors, and material waste during patient care while in surgery and ICU management.

A single platform to hold and secure essential medical accessories, it improves patient safety by being readily available and pre-assembled, eliminating the need to gather multiple pieces when time is of the essence. It improves patient safety by guaranteeing the invasive pressure transducers are calibrated at heart level, securing the breathing circuit, preventing manifolds central lines pulling, and TEE probe dislodgement from the patient.

The OmniHolder is modular in design, providing various add-on options as the medical needs require. It is designed to improve the ergonomics and workflow process of the practitioner when using different monitoring devices during surgery and ICU management.



All in one solution

A single platform to hold and secure essential medical accessories, eliminating clutter, entanglements and the need to gather multiple pieces when time is of the essence. It provides a framework to keep all bags and lines organized in a central platform that can be placed on either side of the surgical or ICU bed.



Lightweighting

Lightweighting¹ in the true sense. By eliminating multiple support gadgets from the setup, it simplifies the use into one accessory that offers more. It does more with less.

¹ Lightweighting: An engineering concept from the space, aviation, and auto industry to build better structures with less to achieve superior performance, handling, and safety.



Improve workflow & safety

Designed to improve practitioner ergonomics² of the practitioner when using different monitoring devices during surgery and ICU management.

It reduces the chances of drug medical errors by keeping all infusion lines organized in a central platform with manifolds and labels.



Cost Containment

It is a 3-in-1 product that replaces the Christmas tree holder, metal clamps and forks, and the transducer holder plate, saving costs to the healthcare institution by eliminating multiple gadgets.

² Ergonomics: Is the science that studies the relationship of humans with their working environment, to improve the efficiencies and safety to have higher productivity.



Modularity

The **OmniHolder** is modular in design providing various add-on options as the medical needs require.

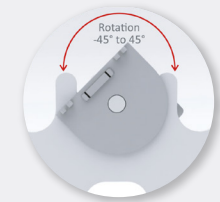
The device includes a height adjustable mechanism so it can always be at the "patient's heart level".



Adaptability

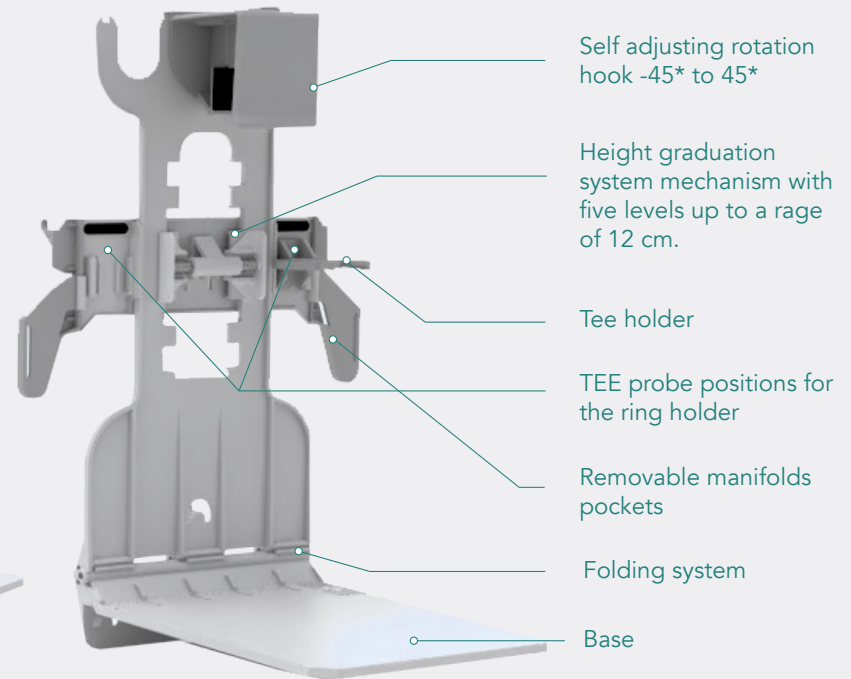
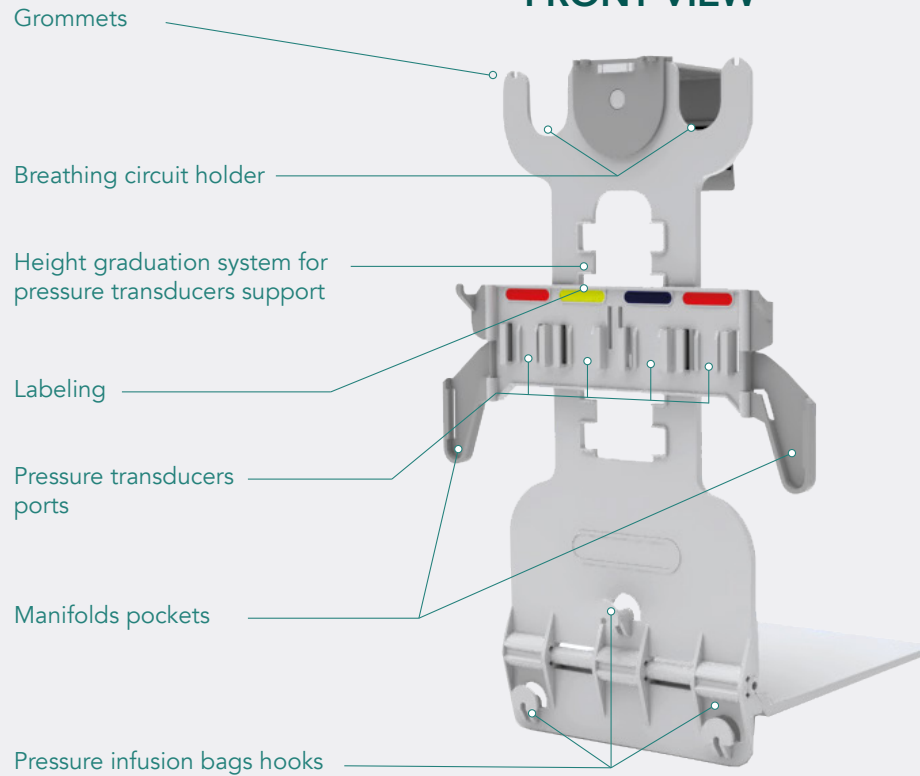
With a versatile design, the **OmniHolder** adapts to the operating room, the hybrid procedure room and the ICU throughout the continuum of care.

A product that serves as a single integrated accessory to support and secure the multiple medical equipments used by the anesthesia and ICU staff.



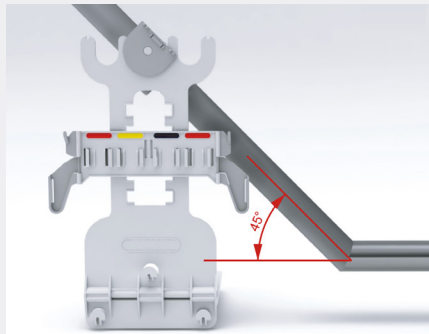
FRONT VIEW

BACK VIEW

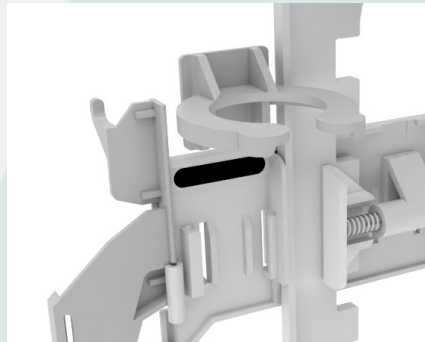


"Pat. Pend."

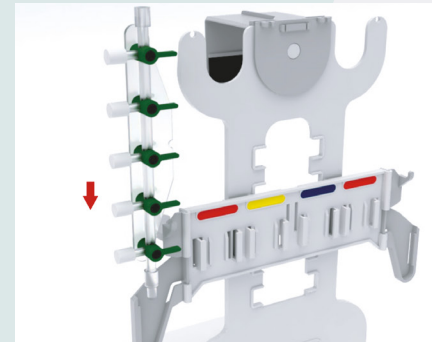
The OmniHolder is versatile and modular so it can be set to different needs.



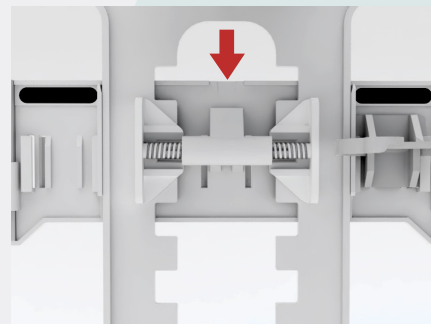
Self-adjusting
rotational hook



Removable TEE
handle ring holder



Independent manifolds pockets
adaptable to many models

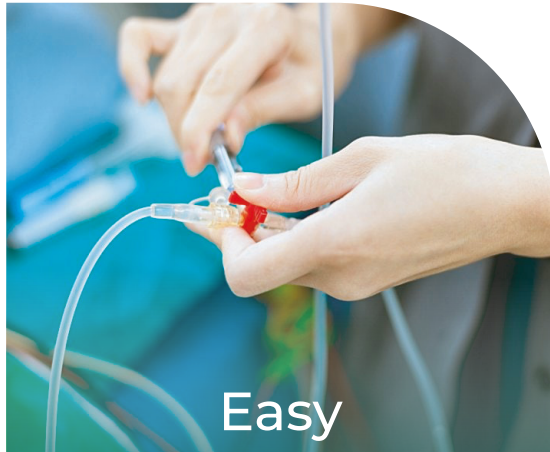


Height adjustment
mechanism



Easy to fold
and store

What does it mean to clinicians?



Easy

It reduces the set-up time of the multiple accessories. Easy to fold for storage, use and transport.



Safe

Proven to be safe with a stable height calibration and a dynamic self-adjusting rotational hanging hook for bed inclinations.



Effective

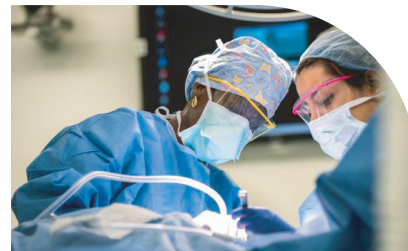
Each utility feature gets the job well done.

Who can benefit from The **OmniHolder**?



Patients

Reduces medical errors.



Anesthesiologists and intensivists

Superusers on a daily bases performing complex tasks.



Nurses

Easy to operate, organize, and keep clean.



Hospitals

Significant cost decrease.

Height:	385 mm (15.15 inches)
Width:	185 mm (7.28 inches)
Folded:	58 mm (2.2 inches)
Base Length:	208 mm (8.18 inches)
Material:	Medical Graded Injected Plastic ABS-like.

Instructions for use:

When in use in the OR, follow these steps:

1. Unfold the base and insert it under the mattress.
2. Coil pressure line from bags in one large loop and hangover hooks, followed by hanging the pressure bags.
3. Dock pressure transducers on the corresponding brackets and lines on grommets.
4. Position The OmniHolder to any corner of the surgical bed to manipulate the airway.
4. Slide manifolds into the pockets on the preferred side and connect to central lines.
5. Add TEE ring holder as needed.

When in use for TRANSPORT depending on hallways width, follow these steps:

1. Hang the pressure bags from the bed IV Pole to prevent floor contact or entanglement with other adjacent equipment.
2. Move The OmniHolder to the corner of the surgical bed before transferring the patient to the new bed.
2. Slide manifolds out of pockets temporarily if necessary.
3. Fold the base to the vertical position.
4. Hang The OmniHolder from the bedside rail or lay flat on either side of the head.

When in use in the ICU, follow these steps:

1. Secure The OmniHolder self-adjusting hook on the ICU bedside rail at the upper chest level.
2. Slide in manifolds on lateral pockets.
3. Keep the pressure bags hanging from the bed IV Pole to prevent floor contact.





Warnings:

The modular pieces of The OmniHolder were designed and tested for use in the OR and ICU. Take out included stability of each component, strength, and performance. Do not use the platform or any accessories if damaged or defective.

The OmniHolder is made from medically graded injected plastic. Do not sterilize in the autoclave or use any caustic substance to clean the product.




It can be sprayed and wiped with any bactericidal, tuberculocidal and viracidal containing chlorides and alcohol.

Indications for use:

The OmniHolder was designed by practicing physicians with “lightweighting”, order, efficiencies, and safety in mind. It is indicated for all complex procedures that require invasive pressure monitoring, multiple drip lines, manifolds and other medical equipment.

It is ideal for cardiothoracic cases, structural hearts, transplants, complex oncology abdominal surgeries, neurosurgeries or any other surgical case that demands system organization in the operating room, transport and ICU management.

Competitive Landscape

	 ANGEL MEDICAL DEVICES	 Edwards	Kingsystems	Generic Brand or Siemens GE / Phillips
Value Metric Criteria	 OMNI HOLDER FOR SURGERY & ICU	TruClip Holder	Breathing Circuit Holder ®	TEE probe holder
All-in-one Holder	✓	✗	✗	✗
Transducer plate with more than 5 brackets	✓	✓	✗	✗
Adjustable height transducer plate	✓	✓	✗	✗
Eliminate human errors - Always calibrated at heart level in OR & ICU	✓	✗	✗	✗
It needs multiple components for assembly	✓	Existent version of C-Clamp	✗	✗
Lines grommets and pressure bags hangers' organizers	✓	✗	✗	✗
Bilateral universal manifolds pockets	✓	✗	✗	✗
Breathing circuit holder	✓	✗	✓	✗
Self-adjustable rotational hanging hook for bedrails of stretchers + ICU beds	✓	✗	✗	✗
TEE probe safety ring cup hanger	✓	✗	✗	✗
Less inventory and SKU numbers	✓	✗	✗	✗
Bigger direct and indirect TOTAL cost savings	✓	✗	✗	✗
Approximate price list	TBD	Edwards \$ 200 McKesson \$ 353	\$ 25 –50	\$ 150



Ordering info and support.

WE WILL HELP YOU

✉ contact@angelmedicaldevices.com

🌐 <https://angelmedicaldevices.com>





ANGEL MEDICAL